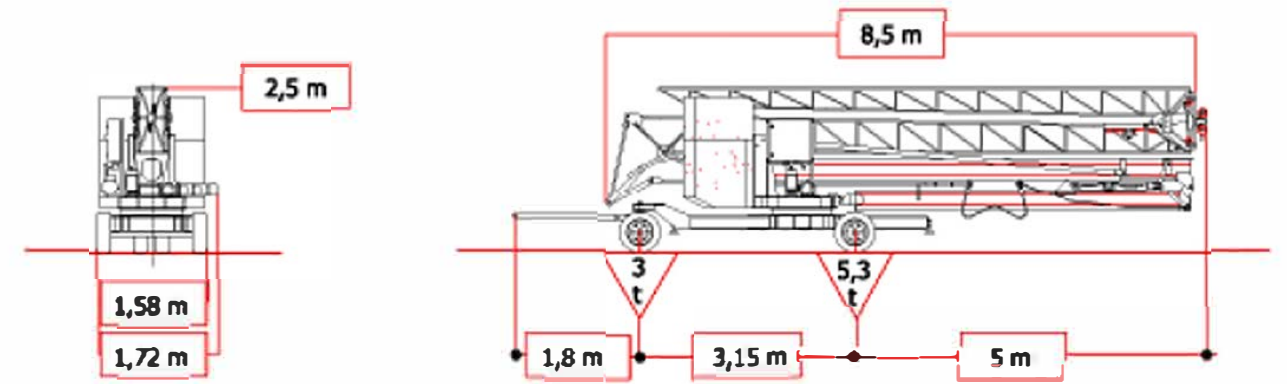


m	SERIE 197 S	7	7.5	8	9	10	11	12	13	14	15	16
kg		1000	940	850	750	670	600	550	500	465	425	400



DIN 15018	H ₁	B ₂	B ₃	DIN 15019	MONOFASE MONOFASICA MONOPHASEC ONE-PHASE WECHSELSTROM
	m/min	22-600 kg		kW	2,2
	m/min	11-1000 kg		kW	2,2
	rpm	0 / 1,1		daNm	0,5
	m/min	25-1000 kg		kW	1
					V 230
					Hz 90
					MAX. POWER kVA 3

Crane with octagonal closed beam tower
Subject to modifications



Breiðhelli 22, 221, Hafnarfjörður
www.dslausnir.is | dslausnir@dslausnir.is | 561 8373

